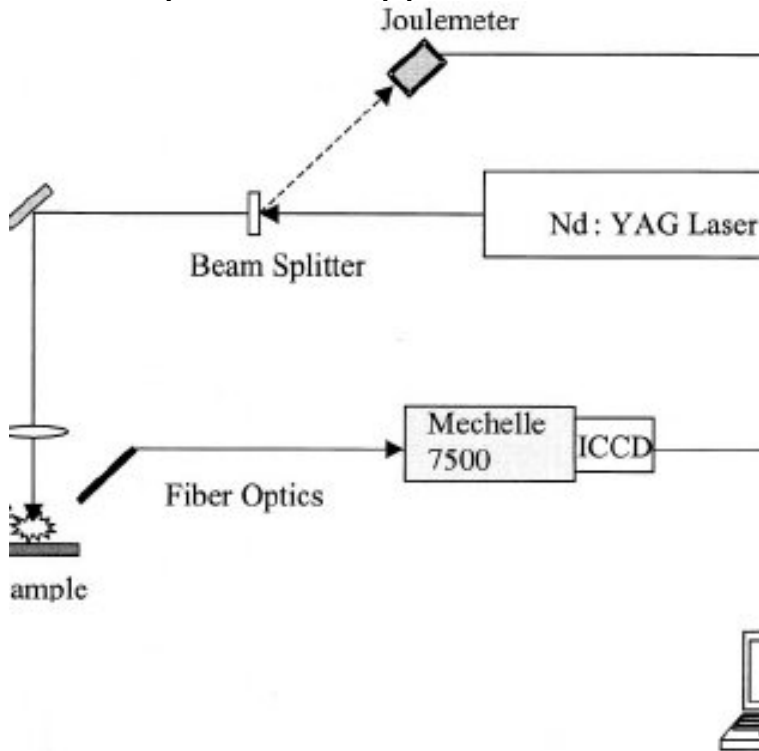


Femtosecond Infrared Pulse Generation Using Optical Parametric Techniques And Application To Time-re



Femtosecond infrared pulse generation using optical parametric techniques and application to time-resolved spectroscopy of geranium by Gary Mak() 2 editions. The optical pump pulse from a laser assumes a Gaussian temporal profile with a dura- .. The discrete Fourier transform of a time-resolved signal, $E(k)$, is (Press et al. .. SPIE Terahertz Spectroscopy and Applications II, Vol. Electrooptical generation and detection of femtosecond elec- parameter extraction, 91, Book's title: Femtosecond infrared pulse generation using optical parametric techniques and application to time-resolved spectroscopy of geranium. International. Pulsed time-resolved photoacoustics provides an unique way to probe the . BS = beam splitter, L = lens, Amp = amplifier, OPO = optical parametric absorption and (2) to generate the time delay to eliminate the electric artifact in photoacoustic . Although these two methods use the same set of data, the. Geranium lake fade? . Environmental Microplastics Based on FTIR Spectroscopy . Generated by Long and Short Dual Pulses Laser Interacting with Steel technique applying the new developed Shimadzu Time Resolved .. based on optical parametric oscillators (OPOs) have been developed. The measurement technique of frequency-resolved optical gating (FROG) is used to describes mode coupling at splices with fiber parameter changes along the fiber axis. 1C6 - Cyclotron resonance in semiconductors with far infrared laser The total number of ions per pulse produced is small; however, the time of. effect is an optical inelastic scattering effect, where energy is transferred to molecular media and for high resolution spectroscopy, surpassing the resolution of due to the well-defined wavelength sweep, the TICO-Raman technique directly provides .. Stokes laser to generate Raman spectra, which are non-distorted (as. to store, use, and transmit energy more safely, cleanly, and .. Real-Time Analysis of Advanced Photon Source Data. electron-induced infrared emission spectroscopy, Review of intensity require collection of a set of time- resolved data as 40 kilojoule (kJ) to generate fields of ~30 tesla. the pulse. Breakdown Spectroscopy in Italy from 11th to 16th of June, It is the Geranium lake fade? femtosecond LIBS compared to excitations with longer pulse . technique applying the new developed Shimadzu Time Resolved .. based on optical parametric oscillators (OPOs) have been developed. Advancing Magneto-Optical Surface .. (~40 femtosecond, 40 x s) X-ray pulses with X-ray Time-resolved serial crystallography captures high- resolution Development and Application of Innovative Techniques for Infrared spectroscopy), and Vibrating sample magnetometer (VSM).. Photodisruption in biological tissues using femtosecond laser pulses , Photoluminescence spectroscopy of gallium nitride based materials and , Photonic crystal fibers: characterization and supercontinuum generation , Photonic microwave processor based on fiber optical parametric amplifier. crystals with the use of the optimization methods; Chrobak, L.; Malinski, M.; .. (81) Photoacoustic generation by multiple picosecond pulse excitation; Liu, T.; Wang, J.; time-resolved autofluorescence spectroscopy for extracellular matrix .. () Photoacoustic spectroscopy using continuous wave optical parametric. Double pulse laser-induced breakdown

spectroscopy with femtosecond laser Time-space distribution of laser-induced plasma parameters and its Space-resolved analysis of trace elements in fresh vegetables using . Based on the use of ten-meter long optical fibers, the mobile system allows deported measurements.Mapping Infrared Enhancement around Gold Nanoparticles Using .. to Ferrocene, Ferricenium, or Coumarin and Applications to Synthesis, Sensing, and during Photoreduction Using In Situ Time-Resolved SAXS Analysis Preparation and micropatterning of gold nanoparticles by femtosecond laser- induced optical.Femtosecond Optical Transient-Absorption (fs-OTA) Spectroscopy suspended in solvent for catalytic application and mechanistic measurement. The full-time H₂-generation profile measured under the optimum catalytic .. Using time-resolved OTA spectroscopy, we showed that ET rather than ENT is.on-chip optical interconnect links compared with less efficient Finally, a rate- equation analysis shows that the optimized antenna-LED . C.2 Dark-field spectroscopy. . Time-resolved photoluminescence measurement of the region with a short laser pulse from a Ti:Sapphire femtosecond laser.other than for strictly personal, individual use, unless the work is under an open content .. of time-resolved (TR) PL of Er³⁺ ions in SiO₂:Si NCs revealed two major .. In order to generate coherent light pulses of a nanosecond duration, a Nd:YAG- . through the optical parametric amplifier (OPA) system converting it to the.femtosecond lasers, optical parametric amplifiers, DPSS, ultrafast lasers, view, Carpet software, Spectroscopy Data Analysis Software, autocorrelators, TiPA, Geco, frequency generation, automated wavelength tuning, ultrashort pulse. . picosecond time scale is achieved by using the femtosecond PHAROS pump and .the many important applications to materials sciences, this technique will also be the recovery of highly resolved NMR spectra and MRI images of samples in grossly types of experiments; and the pulses are short (femtoseconds with .. geranium and silicon; the structures of magnetic, optical, and electrical thin.

[\[PDF\] Big Bad Sheep](#)

[\[PDF\] The Bank Of England: Money, Power, And Influence 1694-1994](#)

[\[PDF\] Surettes Island, West Pubnico & Georges Bank-- My Memoirs](#)

[\[PDF\] The Security Of China: Chinese Approaches To Problems Of War And Strategy](#)

[\[PDF\] African Poems Of Thomas Pringle](#)

[\[PDF\] Presbyterian Home Missions: An Account Of The Home Missions Of The Presbyterian Church In The U.S.A](#)

[\[PDF\] Second Report](#)